

Auto-Retractable Box Cutter

With Slice[®] Ceramic Blade

SLICE-BCAR

The Slice[®] Auto-Retractable Box Cutter combines safety and ergonomics to reduce injuries and increase efficiency. The tool's ceramic blade is the safest you'll find in the workplace.



Finger-Friendly



Precise Cut



Left & Right Hands

Features

Pre-loaded with one finger-friendly ceramic blade



Durable Nylon
Non-slip Comfortable Grip

Unique J-Hook Handle
Protects Hand From Injury

Textured Slider
Auto-Retractable

Lanyard Eyelet
Secure Handling & Storage

Reduced Blade Depth
Protects Box Contents



Easy Release
Blade Changing Tab

slice[®]
ceramic
technology

safer than
traditional
blades[™]

up to
11x
longer lasting
vs. steel[™]

Choose Slice ceramic blades



never rust



non-conductive



non-magnetic



non-sparking



chemically inert



safe up to 1600°C



no sharps box needed



no oil coating

Applications



Corrugated Cardboard



Adhesive Tape



Film & Wrap



Pallet Covering

INDUSTRIES



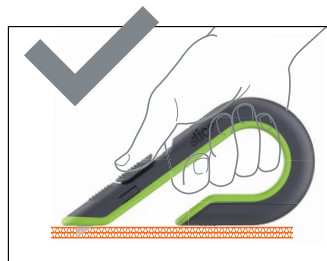
Warehousing
Manufacturing



Cutting cardboard boxes



Opening taped boxes



Hold cutter in correct position



Incorrect position

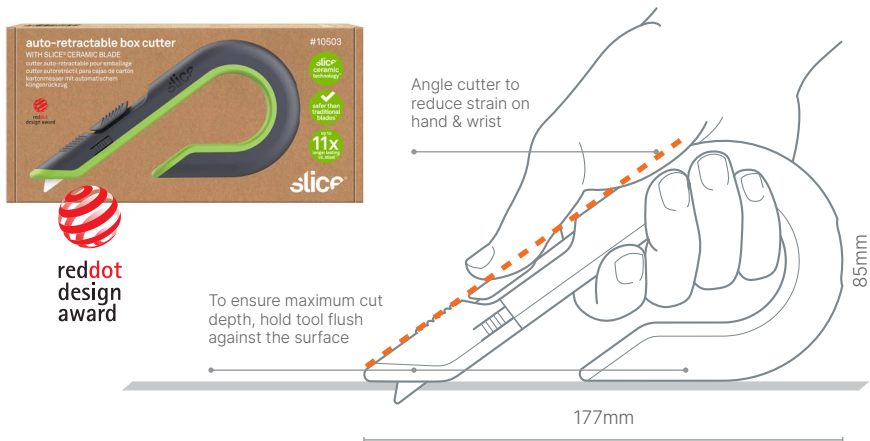
Diplomat
the cutting edge in safety

slice[®]

Auto-Retractable Box Cutter

With Slice® Ceramic Blade

SLICE-CBAR



The Slice® Auto-Retractable Box Cutter's unique finger-friendly® blade is safe to the touch and therefore causes fewer and less severe injuries than traditional blades. For additional safeguarding, a textured auto-retractable slider ensures the blade can never be accidentally left out. The cutter has a curved handle that comfortably wraps around your workers' hands, and this award-winning design reduces wrist strain and keeps fingers shielded from debris such as staples. Furthermore, the reinforced nylon handle provides outstanding durability, so this is a great tool for industrial usage. It's suitable for left or right hand use, and the blade is easily changed without any tools - helping your workforce operate efficiently.

Features & Benefits

- Finger-friendly® blade is the only safety blade on the market
- Blade auto-retraction for additional safe guarding
- Ergonomic handle protects hands
- Suitable for left and right hand use
- Simple and quick no-tool blade change
- Integrated lanyard hole for easy access
- Non-conductive blade for added safety
- Chemically inert blade that never rusts
- Slice® blades last 11.2x longer than traditional blades
- Blades are reversible

Replacement Blades

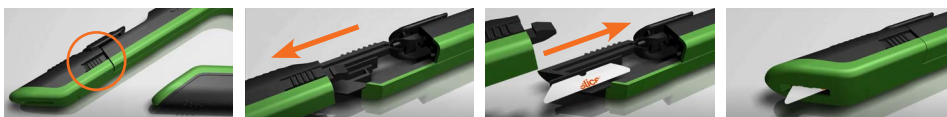


10404 rounded tip



10408 pointed tip

Instructions for changing blades



- 1 Simply press the release tab
- 2 Slide apart to reveal blade
- 3 Reverse blade or replace blade
- 4 Slide back and snap into lock

Product Details

Code: SLICE-BCAR (#10503)

Barcode Number: 895142105030

Technical

MATERIAL Plastic, Carbon steel

DIMENSIONS L:177mm, W:85mm, H:18mm

WEIGHT 96 grams

Packaging

SELL PACK QTY 1 unit

INNER QTY 6 units

INNER DIMENSIONS L:20cm, W:19cm, H:9cm

INNER WEIGHT 1 kg

OUTER QTY 24 units

OUTER DIMENSIONS L:41cm, W:22cm, H:22cm

OUTER WEIGHT 4 kg

Why Slice?

Slice design and manufacture innovative cutting tools for many uses with one goal: to make cutting safer without sacrificing effectiveness. Their line of cutting tools are: ergonomically designed to reduce hand strain and related injuries, lightweight and durable with "finger-friendly" advanced ceramic safety blades. All tools are ambidextrous. Safer cutting for everyone.

Contact us

Diplomat Blades (Aust) Pty Ltd

For samples, enquiries and orders please contact us today

1300 BLADES (252 337)

sales@diplomatblades.com.au

diplomatblades.com.au

